

Product Guide

IMAGE-LED Lighting System

ZINI 2 RGB

CODE : ZI-14051~54



CELL INTERNATIONAL www.zcell.kr

304-1 Ohyang-Ri Silchon-Eup Gwangju-Si Gyeonggi-Do 464-875 Korea, Tel 031-764-8442, Fax 031-764-8443 Email cell@zcell.kr



ZINI 2 is round type of pixel in detailed shapes of diffuser as cone(A), convex(C), cylinder cap(D) and cubic cap(T) and its character is to be able to design with free distance and random position of pixels, finally showing an irregular and artful screen in large scale on the facade of building.

The view of facade looks like a big screen composed of irregular dots and position that could be already one of art works as it is.

The diameter 96mm is developed specially to get maximum effects for short distance view and the designer can select the type of pixel upon circumstances of his project site.

has the soft frost diffuser that permits fine pastel color tone of lighting and cut off strong light dazzles.

The body of ZINI 2 has been made from techno-polymer enable in any coloring to present some artful images even in the daytime.

1. MODEL

IMAGE-LED FIXTURE

ZI-14051	ZINI 2-A RGB
ZI-14052	ZINI 2-C RGB
ZI-14053	ZINI 2-D RGB
ZI-14054	ZINI 2-T RGB

ACCESSORIES

- ZI-25001	ZINI 2 RGB BRACKET
------------	--------------------

CONTROL SYSTEM

- CT-15041	A-SUB CONTROL
- CT-15032	B-PROCESSOR
- CT-15033	B-WORKS
- CT-15034	OPTIC SPLITTER

2. 제품의 주요특징

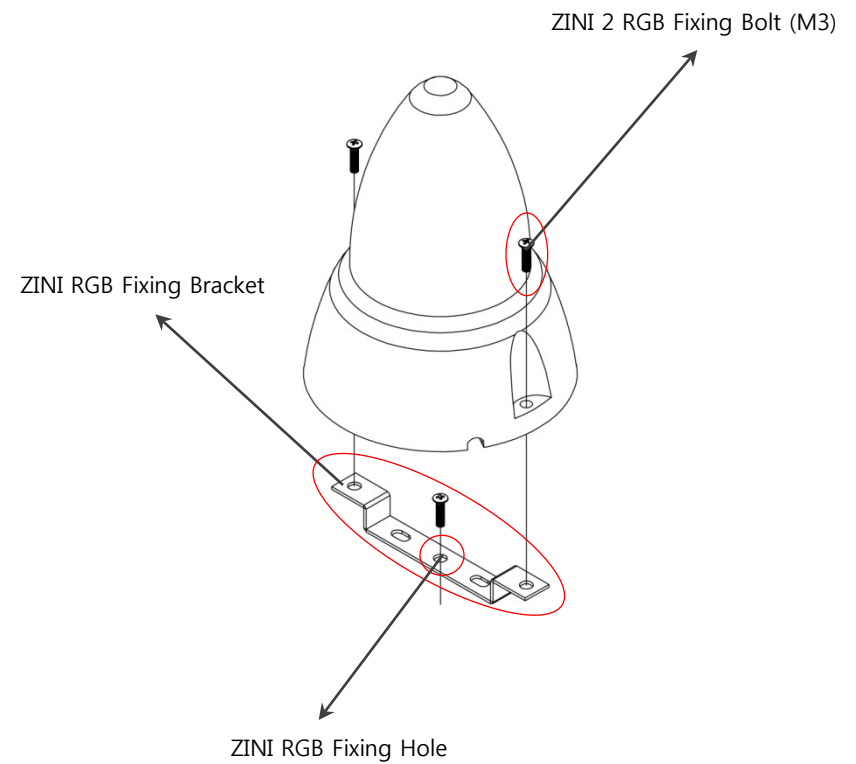
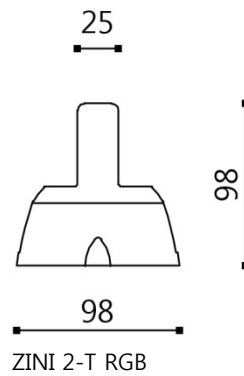
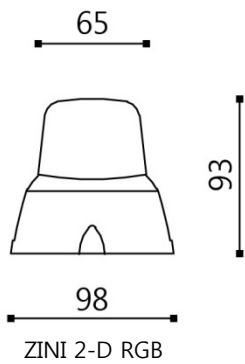
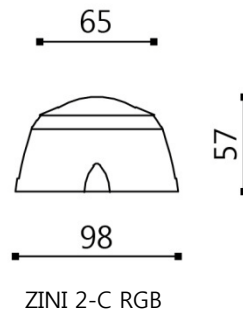
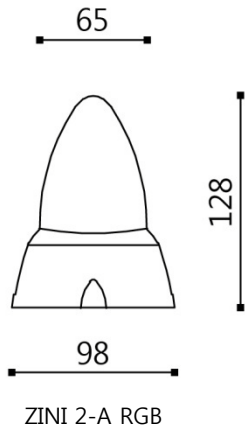
- Compact techno-polymer body with various colors
- Frost diffuser anti-light dazzling
- No need to feed the addresses of control by automatic system of communication
- Connection between units by just one line of cable (Daisy Chain)
- Creation of artful figures and moving images through control system
- IP65 for ZINI body and Power Box

3. SPECIFICATIONS

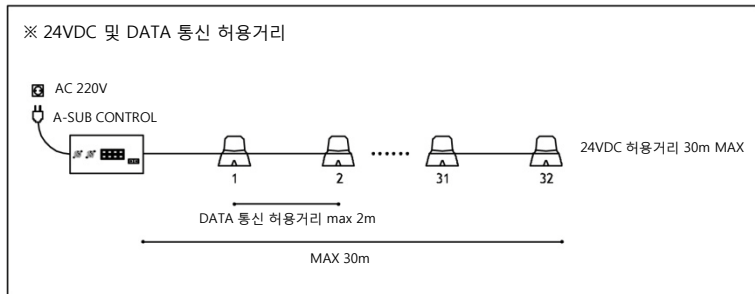
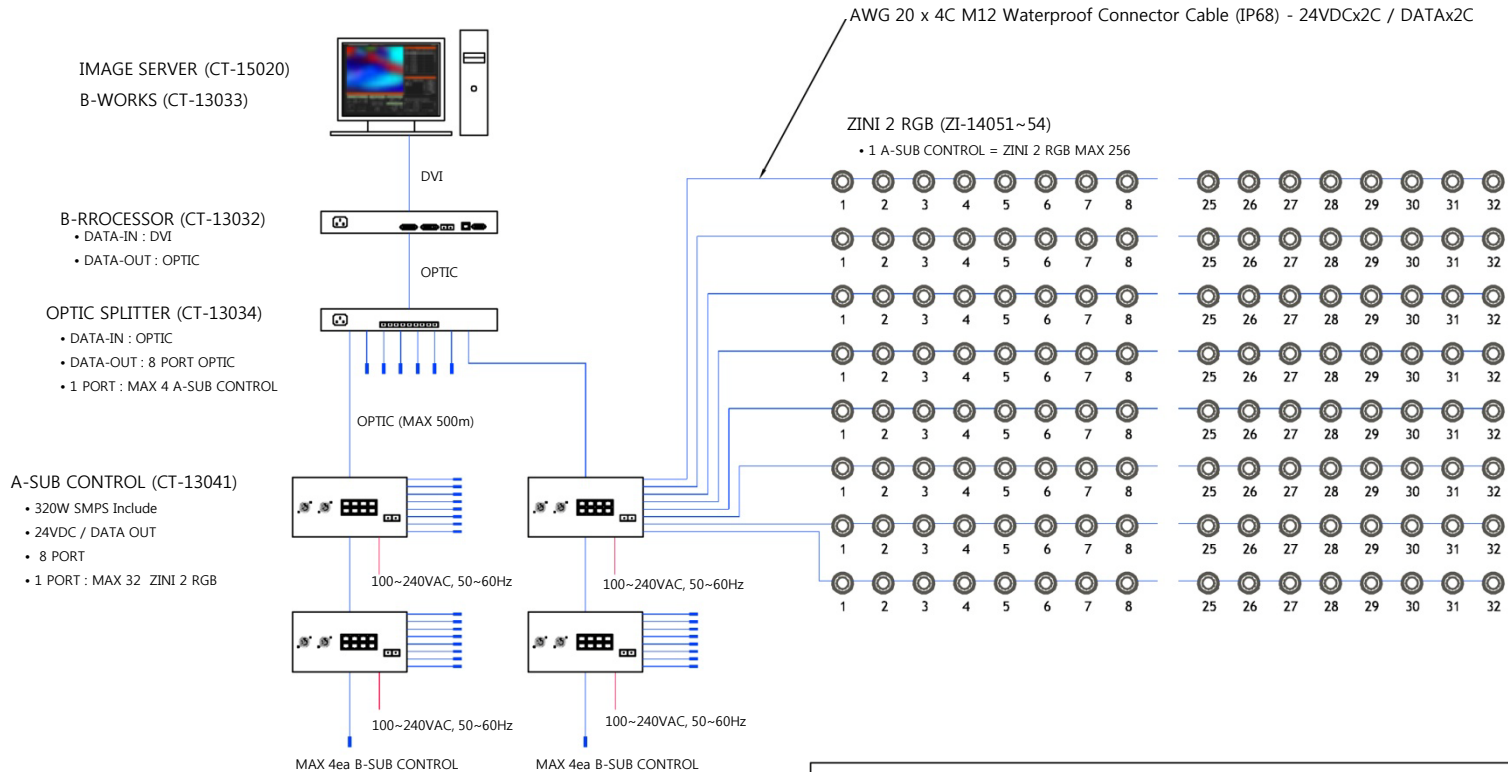
- PRODUCT CODES : ZI-14051 (A-type), ZI-14052 (C-type),
ZI-14053 (D-type), ZI-14054 (T-type)
- MATERIAL : Hot stabilized techno-polymer body with opal matt acryl cover
- DIMENSIONS : 97mm x 97mm x 128mm (A-type)
97mm x 97mm x 57mm (C-type)
97mm x 97mm x 93mm (D-type)
97mm x 97mm x 98mm (T-type)
- WEIGHT : 200g
- PROTECTION CLASS : IP65, Class I
- OPERATING TEMPERATURE : -20°C~65°C
- POWER SUPPLY : 24VDC
- POWER CONSUMPTION : 1.5W Max
- LED : RGB 3in1 SMD 4LED
- VIEW ANGLE : 140°x140°
- CONTROL : IMAGE-LED Protocol



4. DRAWING & MOUNTING DIAGRAM



5. WIRING DIAGRAM



※ EXAMPLE - ZINI 2 RGB 432set<Width 36, Height 12>

